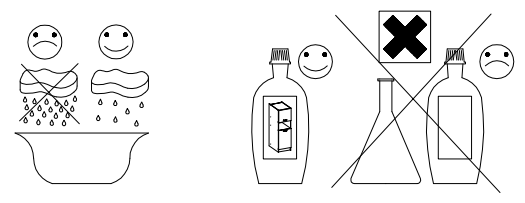
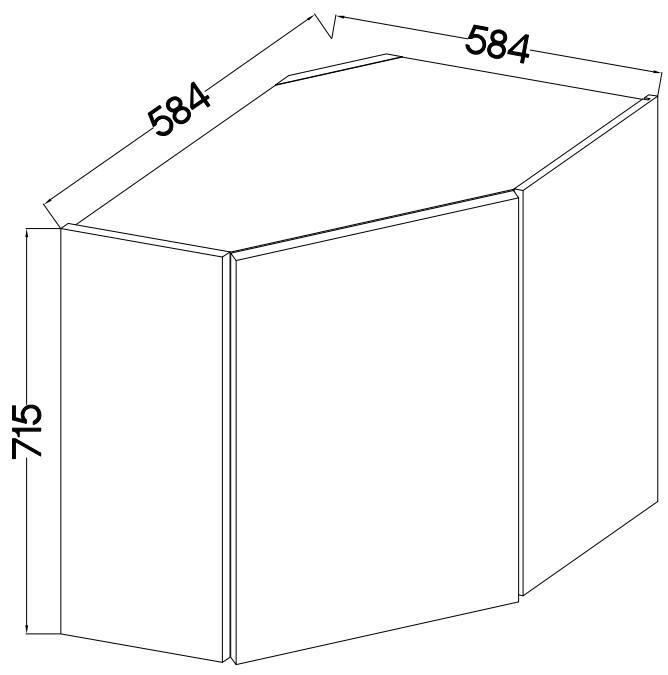
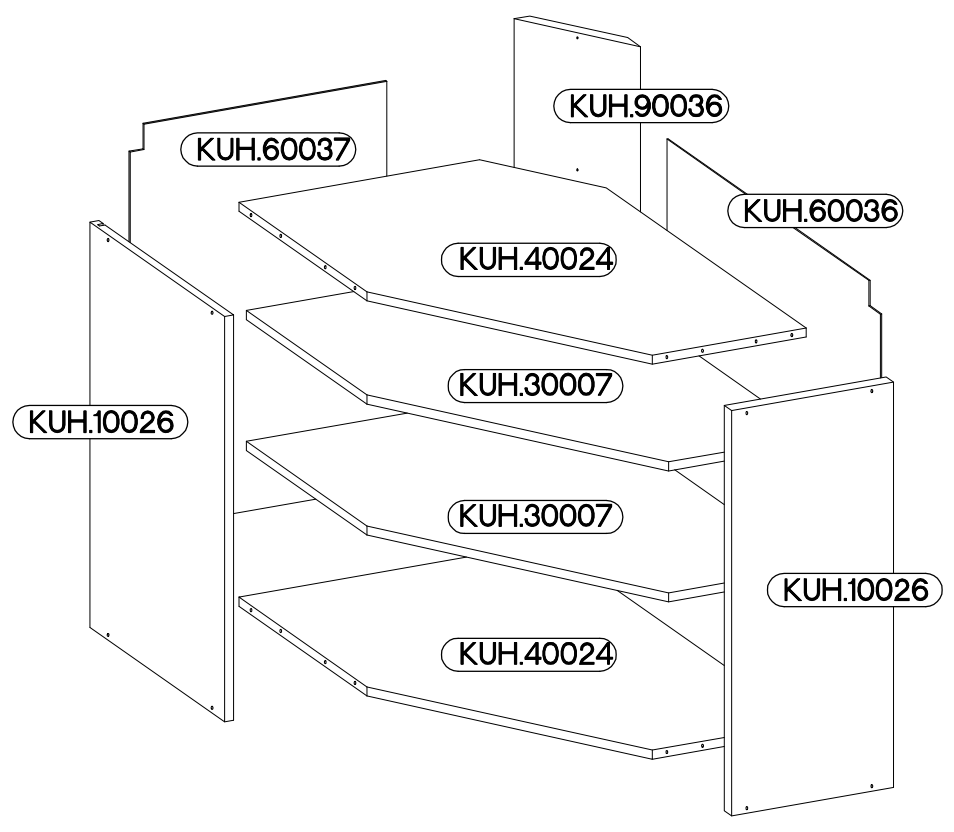
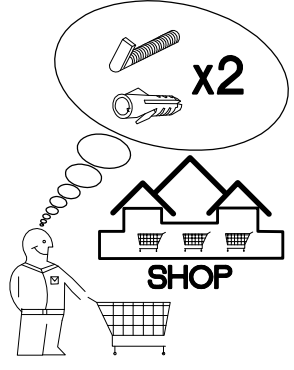


58x58 GN-72 1F

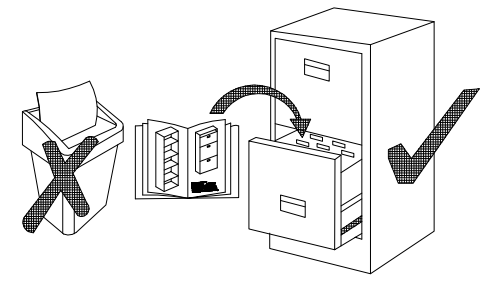


KUH.30007
KUH.40024

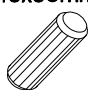
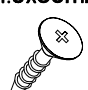
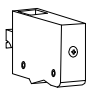


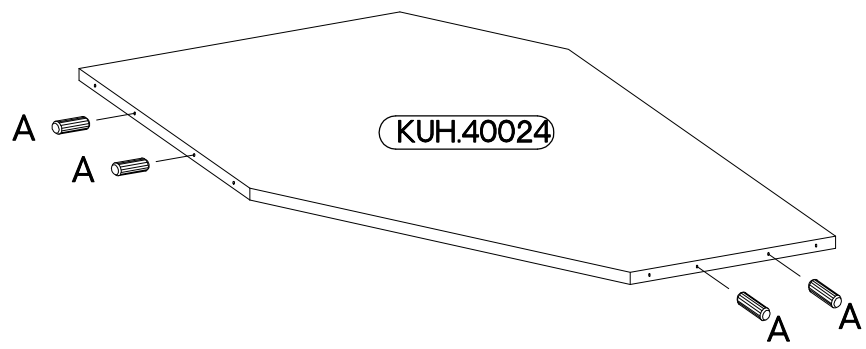
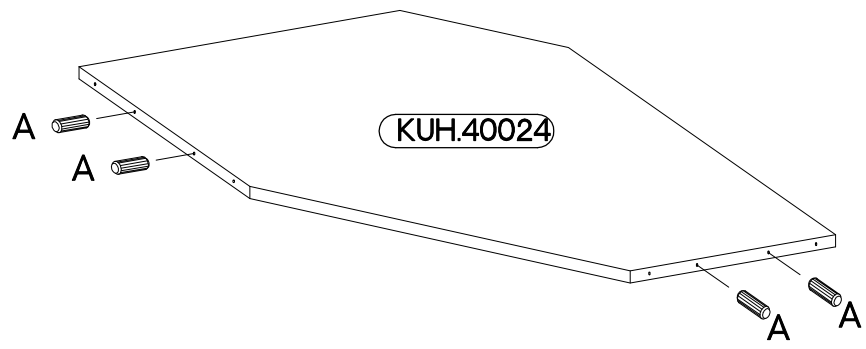
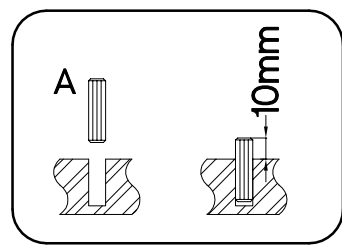
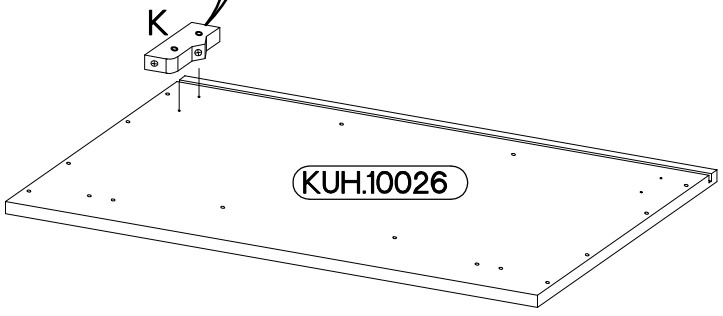
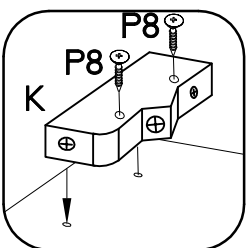
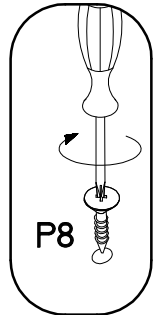
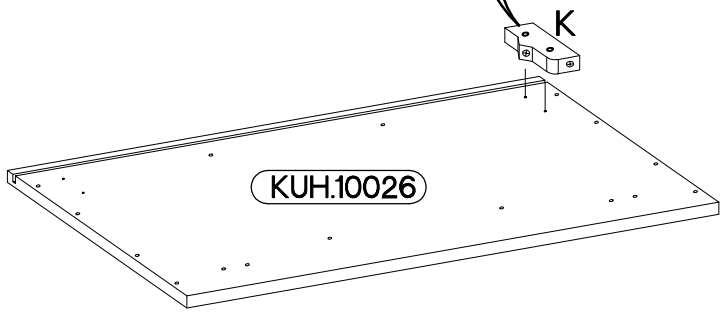
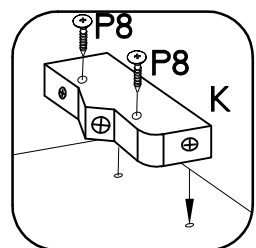
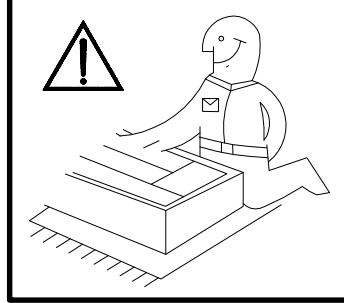
| Ersatzteil Nummer | Dimension |
|-------------------|-------------|
| KUH.10026 x2 | 715x290x16 |
| KUH.30007 x2 | 555x555x16 |
| KUH.40024 x2 | 555x555x16 |
| KUH.60036 | 713x460x2,5 |
| KUH.60037 | 713x460x2,5 |
| KUH.90036 | 715x175x16 |

| | | | | | | |
|---|----|----|----|----|-------|----|
| A | B | E1 | G7 | | | |
| 8 | 10 | 8 | 2 | | | |
| H | J | K | O | P5 | P7 | P8 |
| 2 | 10 | 2 | 1 | 4 | 20-25 | 4 |



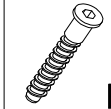
ISM-KUH-01140

| | | |
|--|---|---|
|  +8x30mm A |  +4.0x30mm P8 |  K |
| 8 | 4 | 2 |



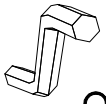
2

6,4 x 50mm



B

4



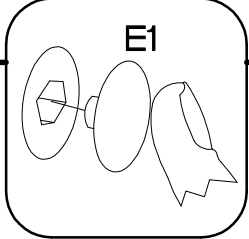
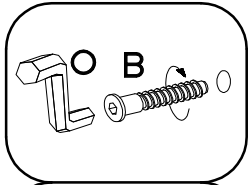
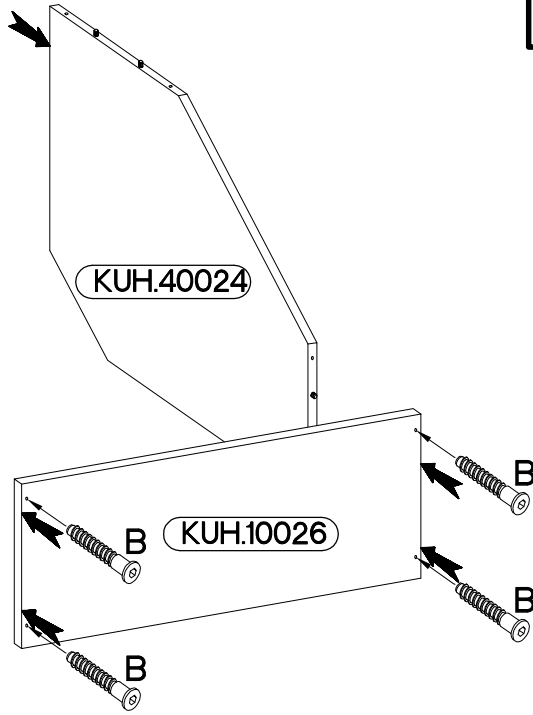
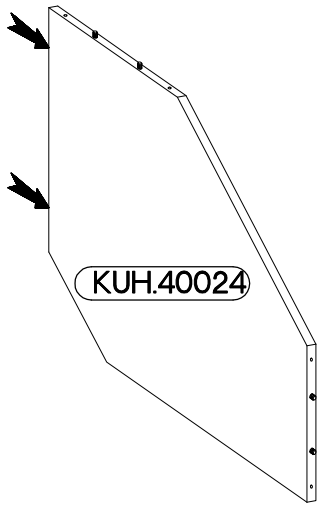
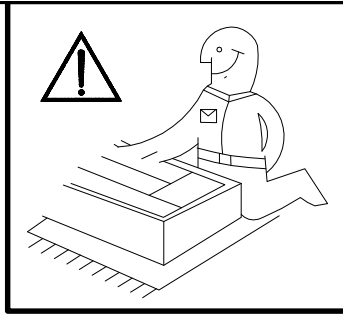
O

1

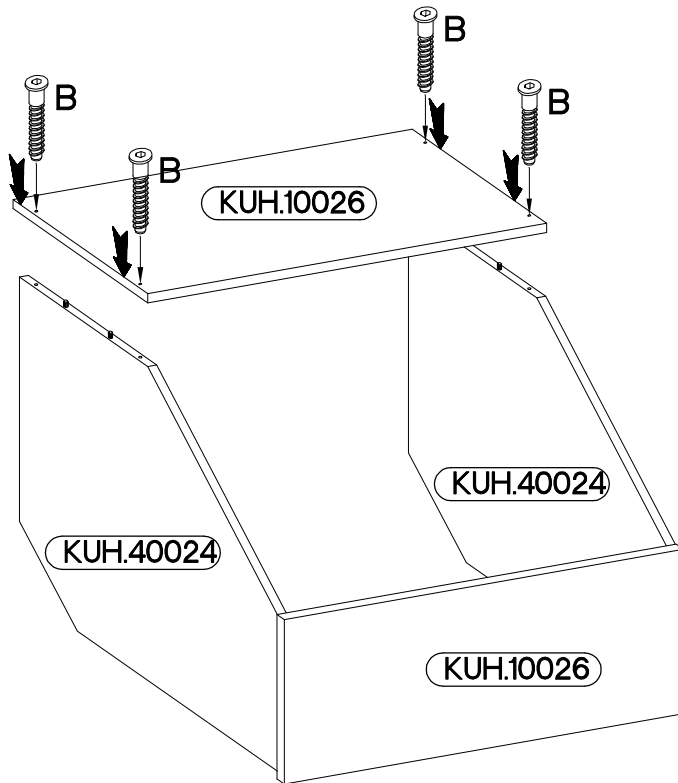


E1

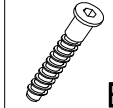
4



3

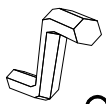


6,4 x 50mm



B

4



O

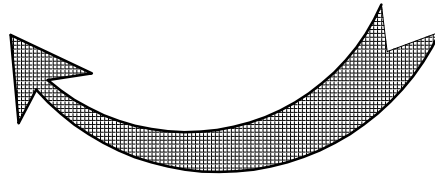
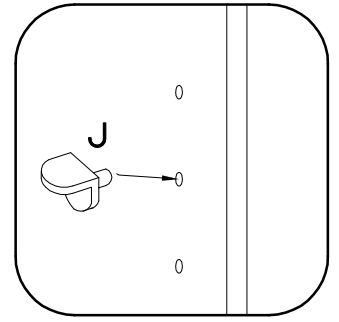
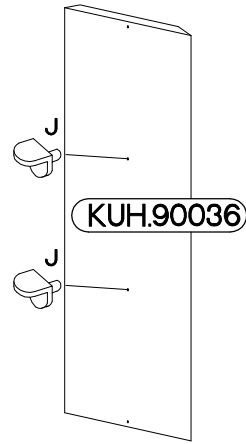
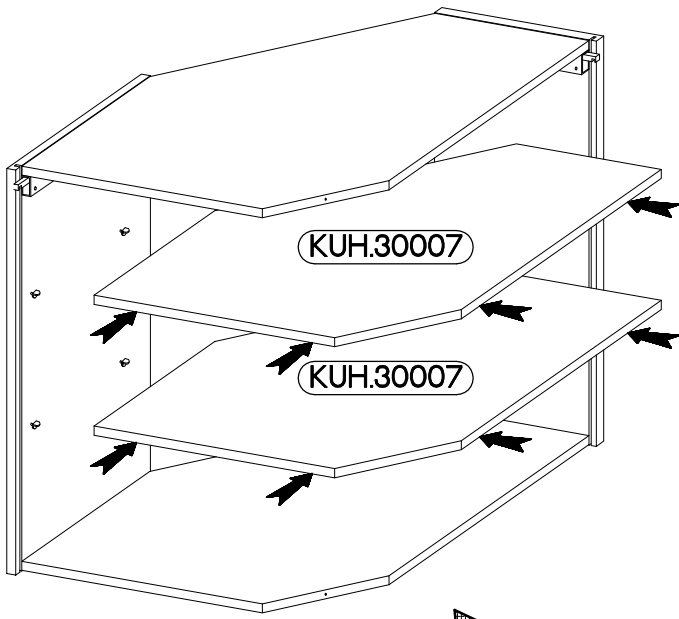
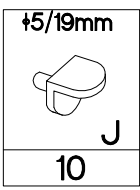
1



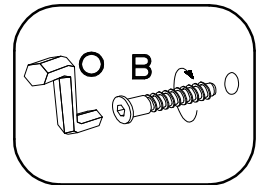
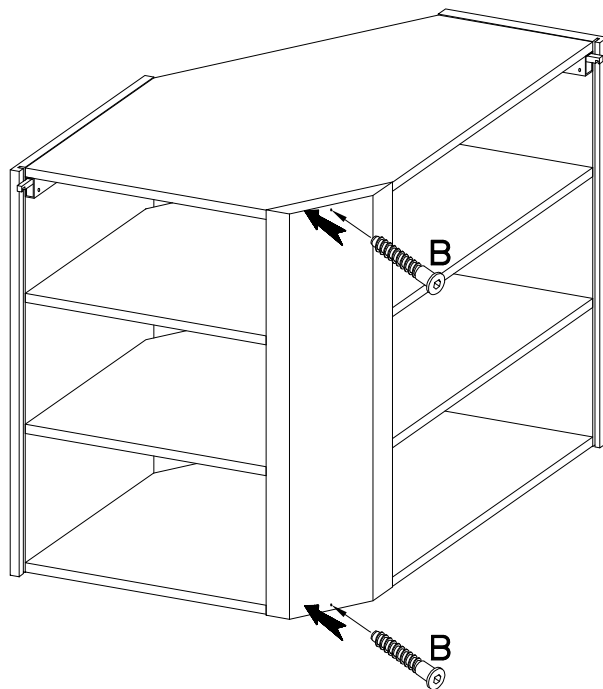
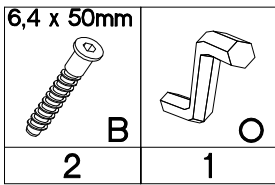
E1

4

4



5



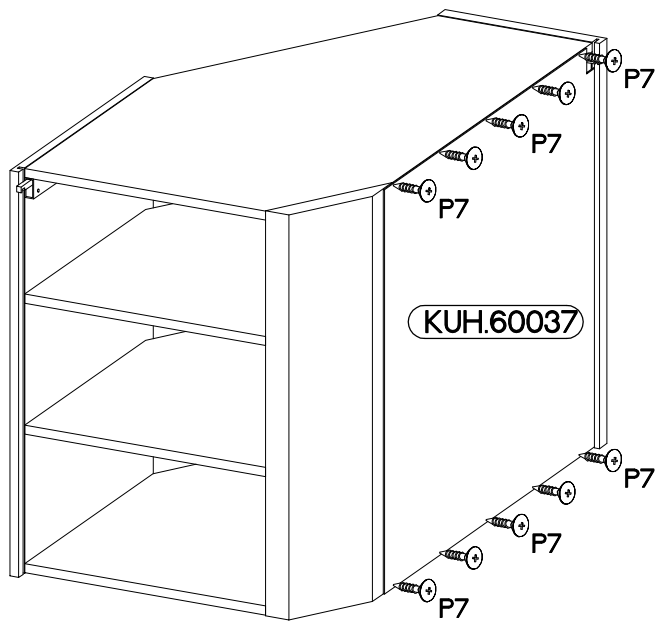
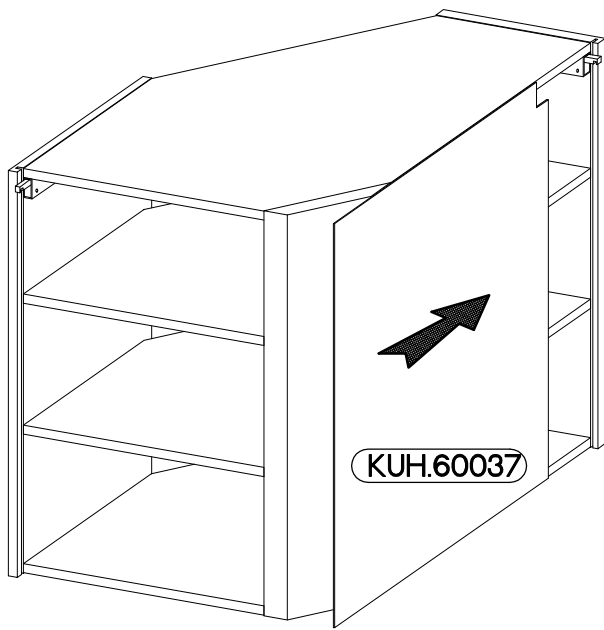
6

+3.0x20mm



P7

10



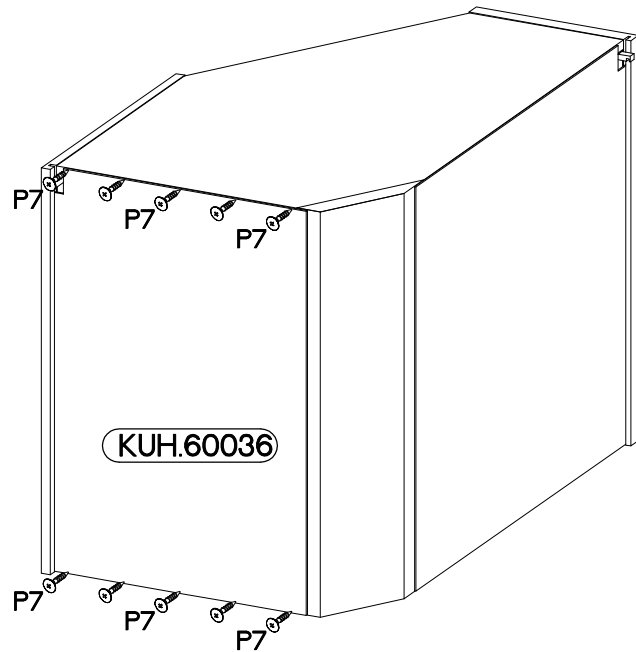
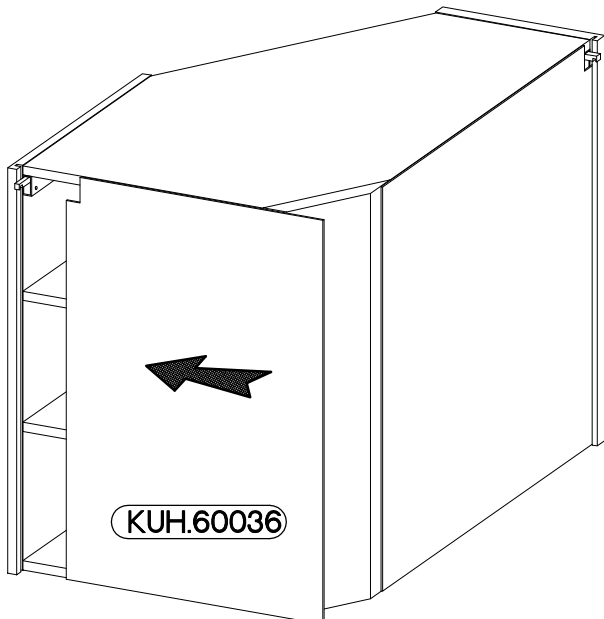
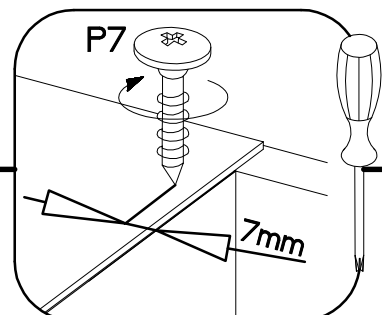
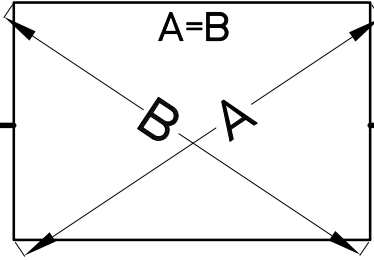
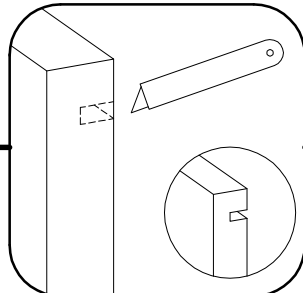
7

+3.0x20mm

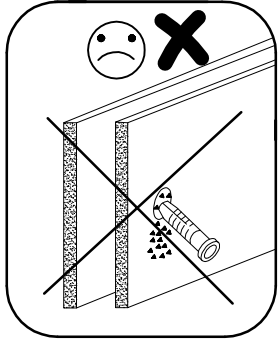
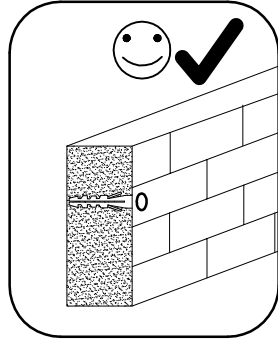
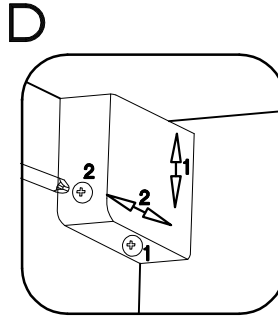
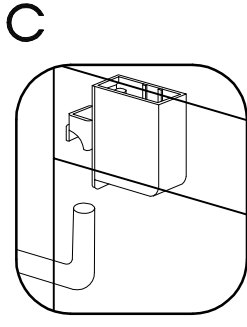
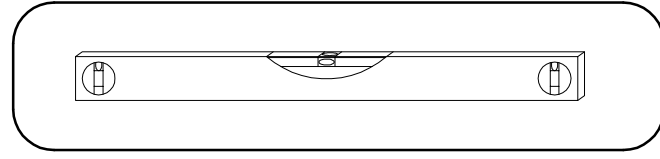
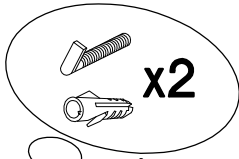
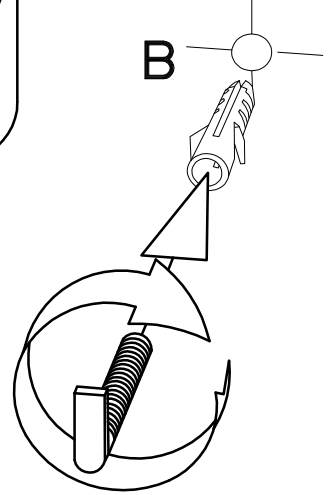
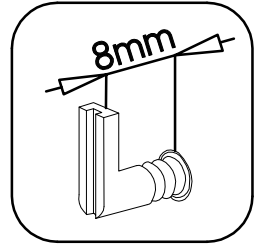
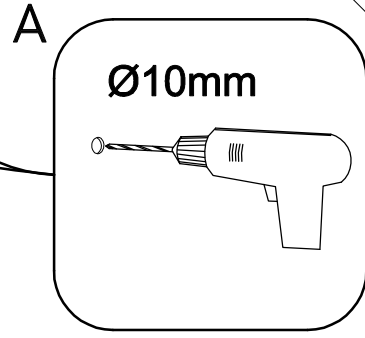
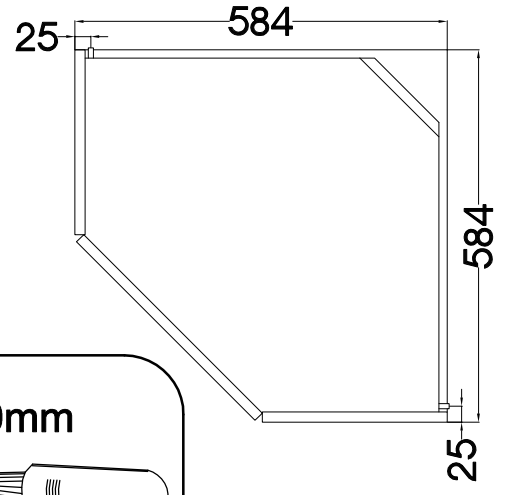
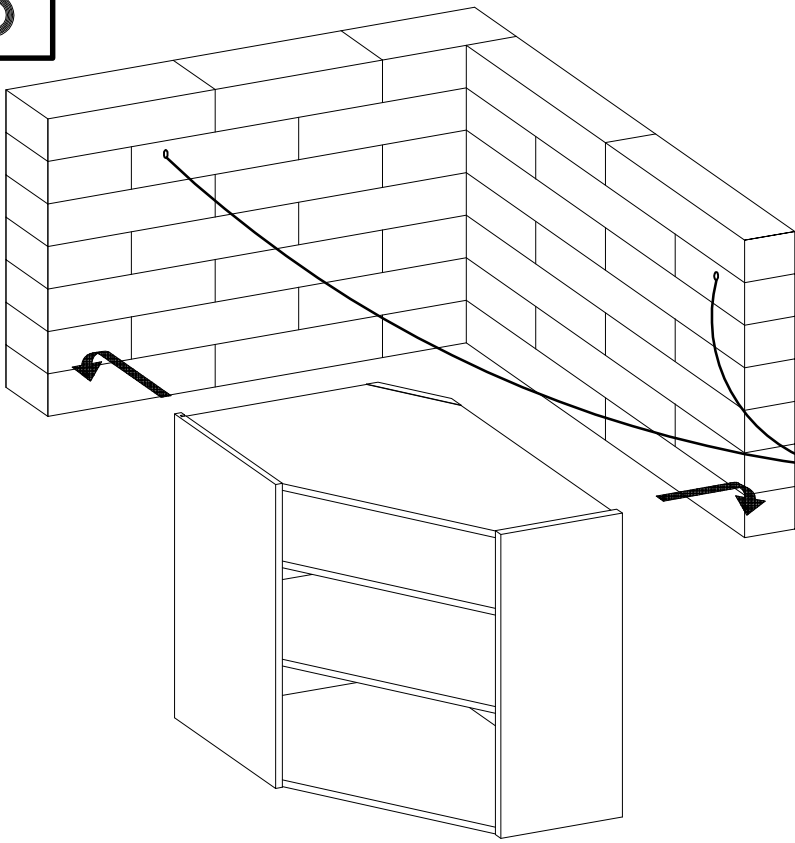


P7

10



8



9

FRONT

